

SLEMCO
SPECIFICATIONS
RESIDENTIAL UNDERGROUND SECONDARY

It will be the customer's responsibility for compliance with the National Electrical Code (N.E.C.) and any governing authority for all equipment beyond the point of connection. The customer is advised to use the services of a qualified electrician to assure compliance with all codes and regulations.

IT IS NOW SLEMCO'S POLICY THAT ALL RESIDENTIAL CUSTOMERS WHO WISH TO HAVE UNDERGROUND SERVICE MUST INSTALL THE CONDUIT NECESSARY FOR SLEMCO TO RUN THE SECONDARY CABLE.

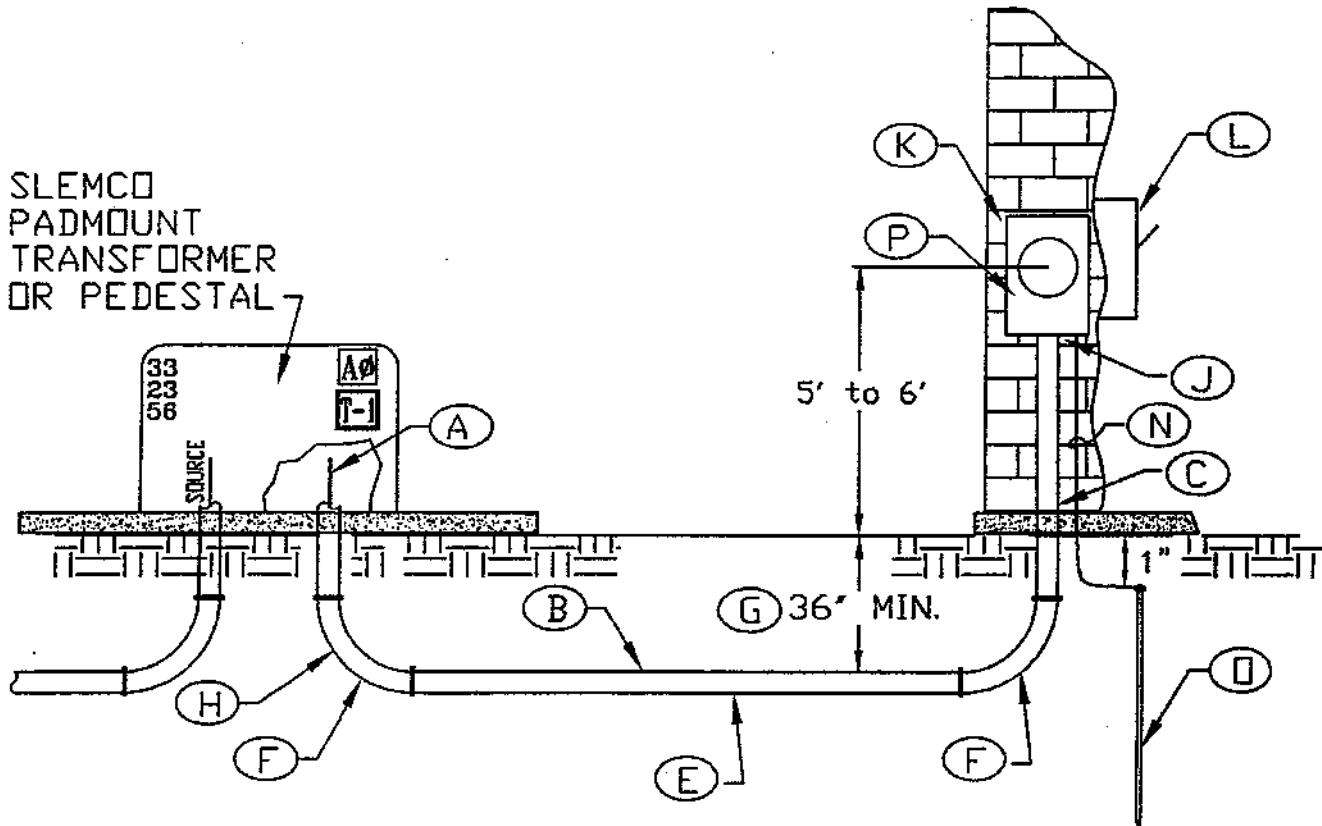
- A. Secondary cable furnished and installed by SLEMCO.
- B. Secondary conduit furnished and installed by customer.
- C. Conduit must be (2 inch) furnished and installed by customer. **ELECTRICAL PIPE IS THE GRAY PIPE, WHITE WATER PIPE IS NOT ACCEPTABLE.** Schedule 40 is acceptable for below ground use but **Schedule 80** must be used for above ground risers.
- D. **In the event** the consumer installs **larger than a 200 amp** service, this will require a **CT metering installation**. This will now require a minimum of a **3 inch conduit** and **perhaps larger** depending on the size of the service.
- E. Customer **will install** a pull string in the conduit (white nylon string).
- F. Any **underground service** that requires (3) **90 degree turns** or is **further than 150 feet**, the customer must use a **standard steel 90 (18 inch turn)**. Any underground service which is less than 150 feet with (2) **90 degree turns**, the customer is allowed to use a **PVC long radius 90 (36 inch)**.
- G. Customer must **maintain a depth of 3 feet** on conduit if running secondaries and a **depth of 4 feet** if installing conduit for **primary cable to a transformer**. See Page on **Underground Primary Specifications** for full details.

- H. Customer will stub up at SLEMCO pole three feet above ground with **Schedule 80** pipe and leave 2 joints of **Schedule 40** near the pole. SLEMCO will install the riser up the pole. Also the customer will leave a **2 inch** weather head along with the Schedule 40 pipe. **When installing conduit to an existing padmount transformer, stop conduit 1 foot short of the transformer. SLEMCO will install and provide the long radius 90 and conduit into the transformer or pedestal. When running primary conduit to a new transformer, stub up primary and secondary together.**
- I. Standoff brackets **furnished and installed by SLEMCO.**
- J. Customer will complete installation of conduit into meter base using **Schedule 80** pipe for section above ground into meter base.
- K. **Meter base furnished and installed by customer. NOTE:** When purchasing a meter base for underground service please specify **HUBLESS OR UNDERGROUND METER BASE. ALSO NEVER USE A 100 AMP METER BASE.** Meter base must be installed on the outside of building. Meter base must be mounted between 5 and 6 feet above finished grade.
- L. Main disconnect, furnished and installed by customer, must be located within 3 feet of the meter base. Main disconnect and or other electrical equipment may be mounted on the outside of the building. It must be of weatherproof design if mounted on the outside.
- M. Entrance conductors from the meter base to the main disconnect furnished and installed by customer. Entrance conductors shall be copper only and must be sized according to the load as required by the National Electrical Code or local governing authority.
- N. Meter base grounding, minimum #6 soft drawn (s.d.) copper, in conduit from the meter base to the ground rod, furnished and installed by customer. The meter base ground wire must be connected in the ground wire lug, where provided, and not in the service neutral lug.
- O. Ground rod minimum 5/8" x 8' copperweld or 1/2" x 8' copper, furnished and installed by customer. Ground rod is to be set 1 inch below finished grade. **(THIS MINIMUM IS REQUIRED BY THE NATIONAL ELECTRICAL CODE OR GOVERNING AUTHORITY.)**
- P. **If a governing authority requires an inspection, a tag must be in place before the service can be energized.**

SLEMCO SINGLE PHASE
UNDERGROUND PRIMARY

1. When it is determined that underground primary will be necessary, SLEMCO will provide primary and a padmount transformer up to **300 feet** at **no** additional cost to the customer. The customer is **required** to trench and install all conduit.
2. For distances beyond **300 feet**, there will be a **\$1.00 per foot** charge for cable in excess of 300 feet.
3. In the case of underground primary **ONLY** the customer can request SLEMCO to trench and install all conduit, cable and padmount transformer. The cost to trench and install conduit will be calculated based on the distance of the primary. SLEMCO's field engineer will advise the customer of the cost.
4. **2 inch Schedule 40 (GREY)** electrical PVC conduit is required. The required depth for primary is **48 inches**.
5. The customer shall stub up the conduit at SLEMCO's terminal pole. The customer shall stub up 3 feet of Schedule 80 conduit and leave 2 joints of Schedule 40 near the pole. A weatherhead is not required for primary.
6. At the location of the padmount transformer the customer shall stub up the **primary and the secondary** conduit next to each other.
7. A maximum distance of **700 feet** will be allowed before a pull box is required. The Engineering Department field engineer will advise the customer in the event a pull box is required.
8. A maximum of **(3) 90** degree turns is allowed.
9. SLEMCO requires Long Radius **PVC 90s (36 inch)** for distances **300 feet** and less. For distances **greater than 300 feet**, a **Standard Steel 90 (18 inch)** is required.

SLEMCO
PADMOUNT
TRANSFORMER
OR PEDESTAL



SEE NOTES FOR MORE INFORMATION

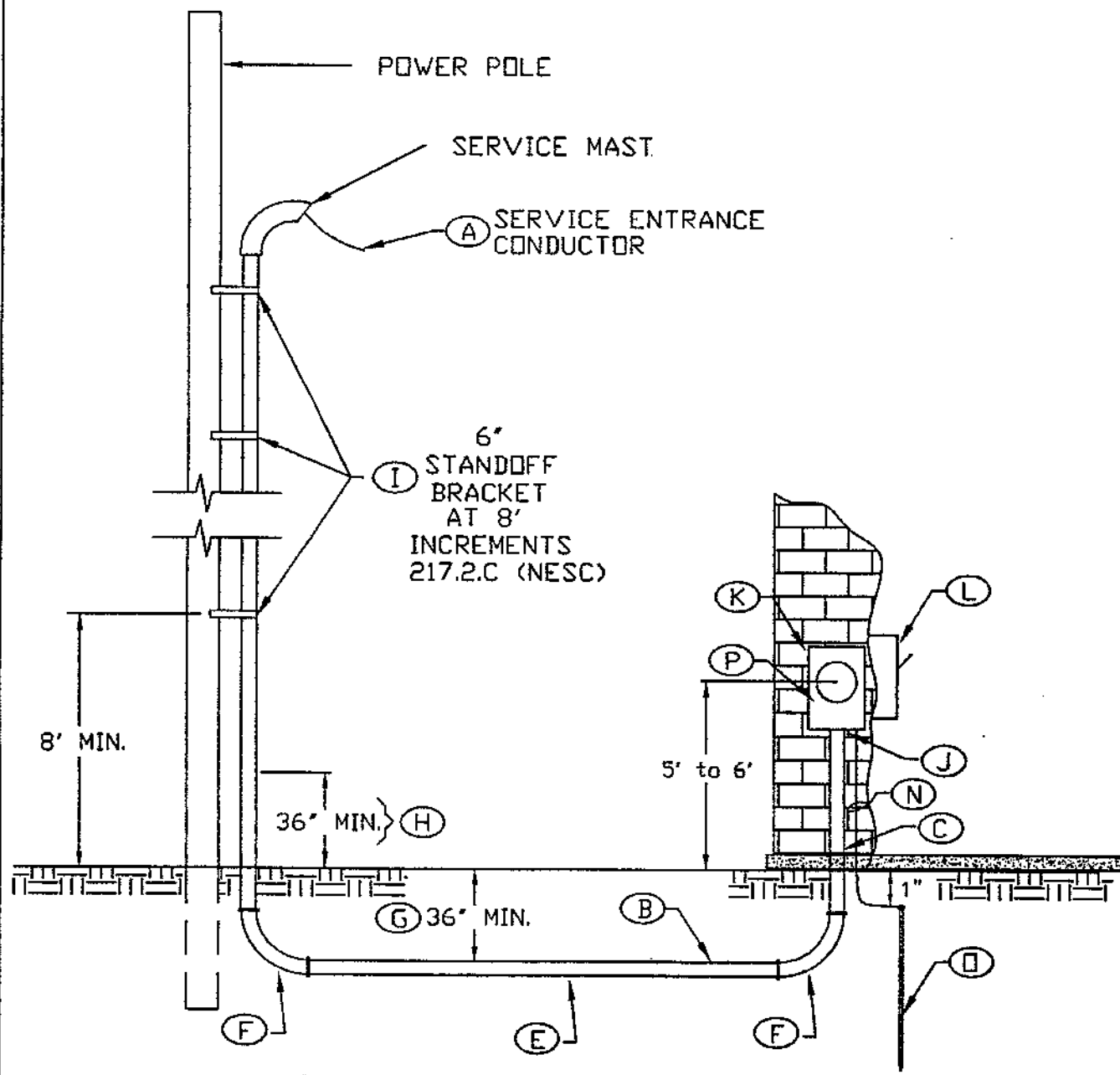
INSTALLATION FROM UNDERGROUND SOURCE

N:\SPECS\STANDARD\UGSERV.dwg

SEE NOTES	SCALE: N.T.S.		
SLEMCO ELECTRICAL STANDARDS			
DATE:	ORIGINAL	REVISION	REVISION
09/28/99			
DRAWN BY:	L.A.M.		
APPR. BY:			

METER INSTALLATION GUIDE FOR
SINGLE PHASE RESIDENTIAL SERVICE
Southwest Louisiana Electric Membership Corporation
Lafayette, Louisiana





SEE NOTES FOR MORE INFORMATION

INSTALLATION FROM OVERHEAD SOURCE

SEE NOTES SCALE: N.T.S.

SLEMCO ELECTRICAL STANDARDS

DATE:	ORIGINAL	REVISION	REVISION
09/05/99			
DRAWN BY:	L.A.M.		
APPR. BY:			

METER INSTALLATION GUIDE FOR SINGLE PHASE RESIDENTIAL SERVICE

Southwest Louisiana Electric Membership Corporation
Lafayette, Louisiana



N:\SPEC\STANDARD\UGSERV02.dwg